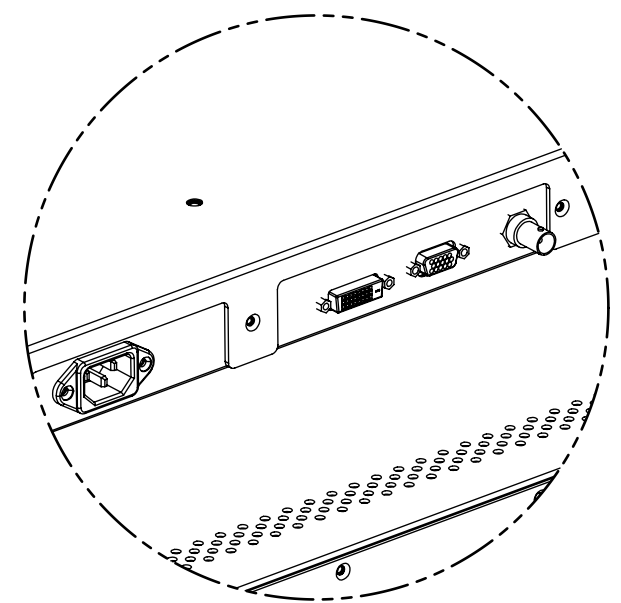
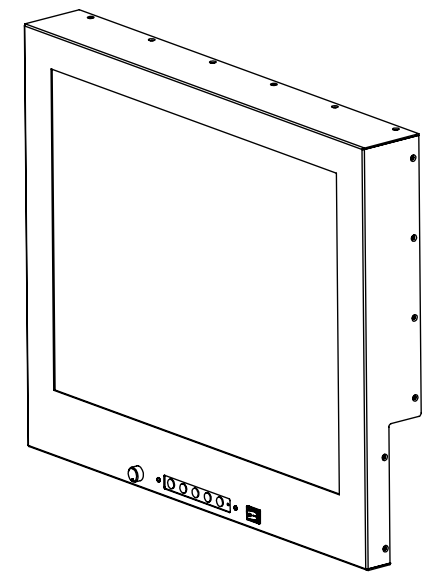
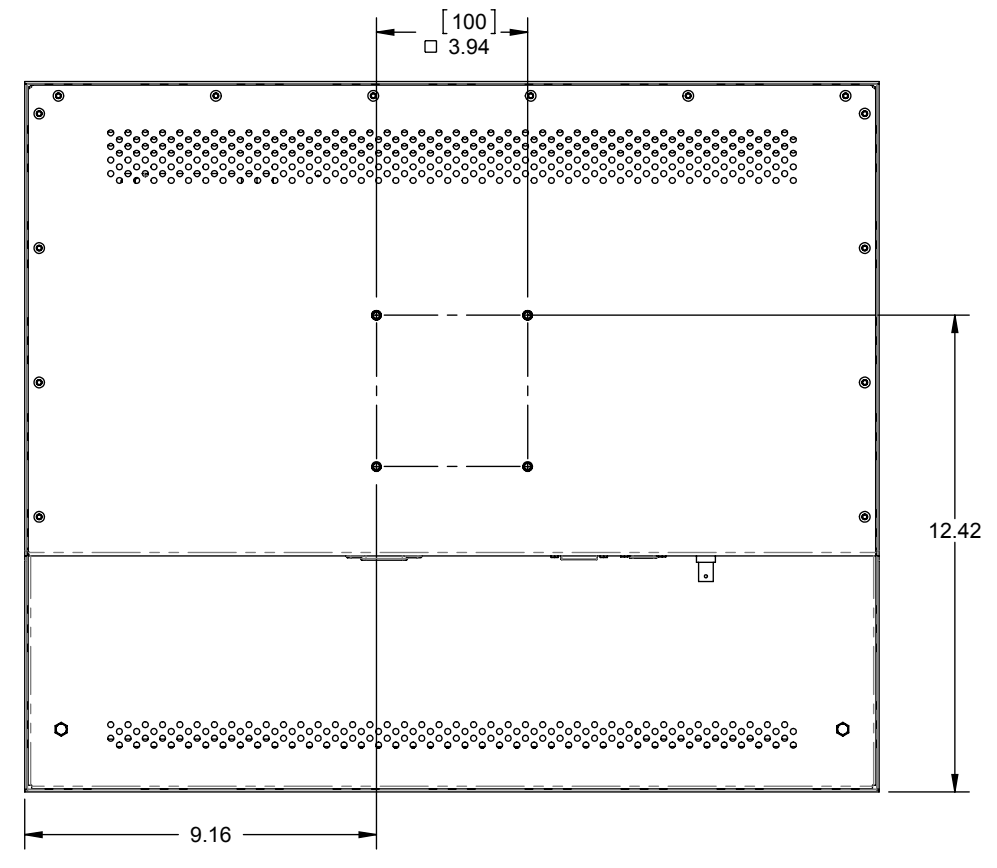
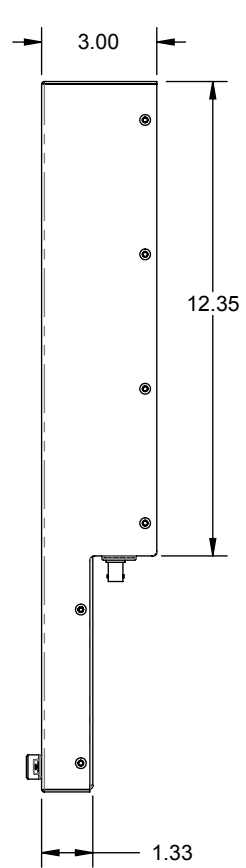
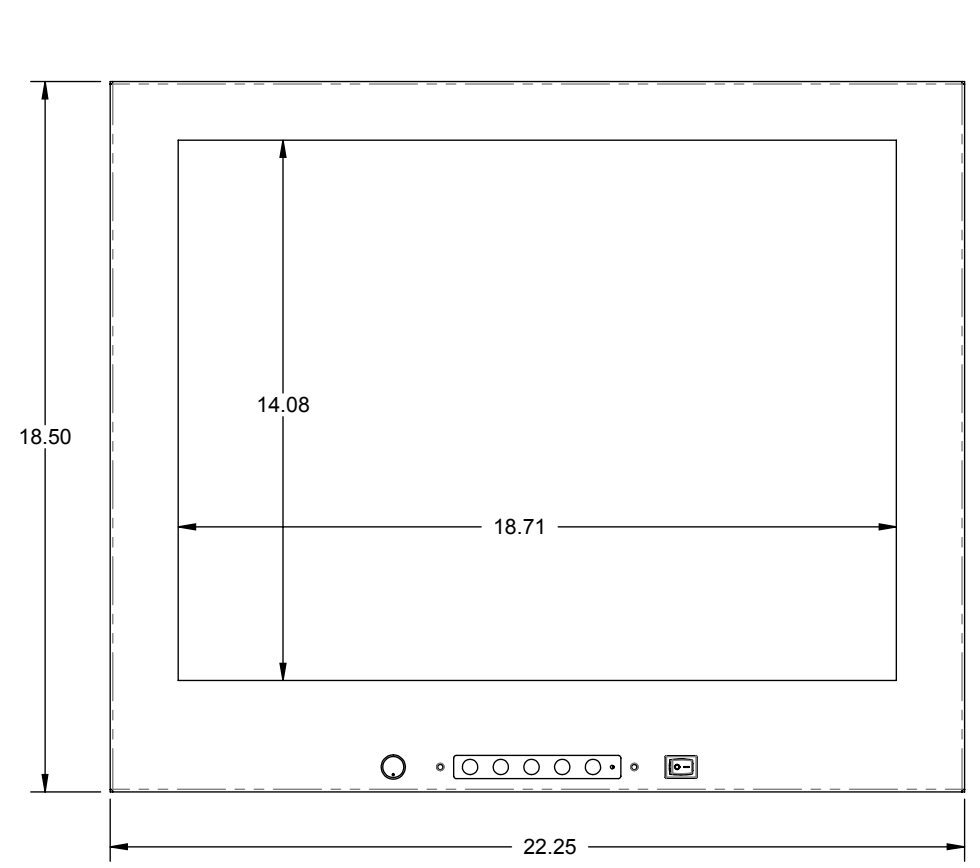
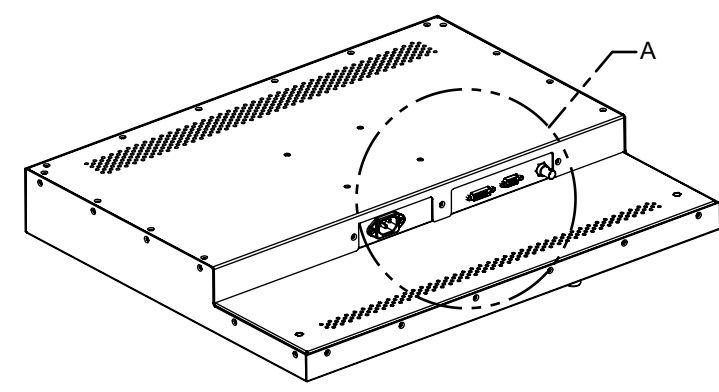



8 7 6 5 4 3 2 1

D
C
B
A



DETAIL A
SCALE 1 : 3



APPROVALS		DATE		451-C Constitution Ave. Camarillo, CA 93012 805-389-5435, 5436 FAX	
DRAWN: VILLEGAS JOSE		8/18/2011		TITLE: CF-23 ASSEMBLY	
CHECKED:			SIZE DWG. NO. REV. B CF-23 A		
APPD:			SCALE 1:8 DO NOT SCALE DRAWING Sheet 2 OF 2		
<small>This drawing and specifications herein, are the property of Neuro Logic Systems, Inc. and shall not be reproduced or copied or used in whole or in part as the basis for the manufacture or sale of items without written permission.</small>					

8 7 6 5 4 3 2 1