



CSC-17-U

1U 17" Compact Server Console



OUR NEW COMPACT CONSOLE LINE IS DESIGNED FOR TODAY'S NEWEST RACKS AND SERVERS. A SHORTER DEPTH, ONLY 20" DEEP, ALLOWS MAXIMUM AIR FLOW THROUGH YOUR CABINET. THE CSC LINE WAS ORIGINALLY MADE FOR THE MILITARY BUT PRICED FOR COMMERCIAL USE. WHILE THE CSC'S DEPTH RESULTS IN A LIGHTER PRODUCT, IT REMAINS TOUGH ENOUGH TO BE USED IN ANY TRANSPORT CASE.



KEY FEATURES

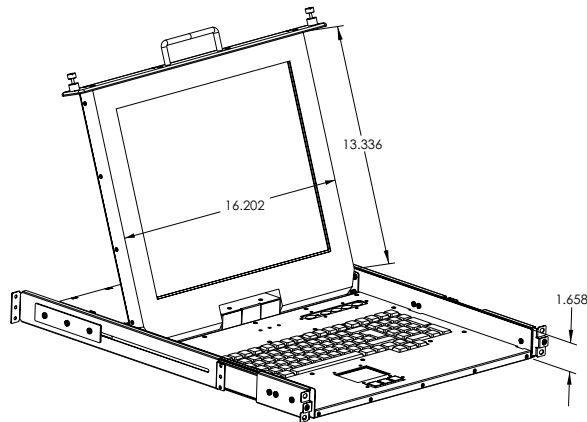
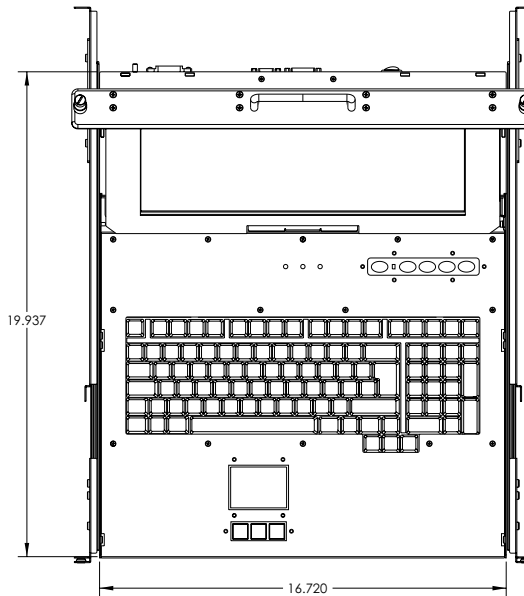


MADE IN THE USA

- Only 20" Deep
- Entire unit only 1U (1.75") high
- USB, PS/2 Keyboard
- 17" TFT LCD native 1280 x 1024 resolution
- LCD compatible with VESA/IBM, Sun and Apple video
- 3-button touchpad
- LCD power-up when raised

- Various keyboard languages
- Smart-Rail System & Cable Mgt.
- Cable mgt mounts to unit, not to the rack
- Locks securely in rack when not in use.
- 15-pin VGA and DVI-I connections
- Fits 24" to 36" rack depths via adj. mounting brackets (specs)

- 28 and 48-volt DC and 400Hz power supply options
- Includes video, keyboard and power cables
- Extended Warranties options
- Avail. w/built-in CAT5 KVM
- Avail. w/built-in Terminal Emulation
- 2-Year Parts and Labor Warranty



LCD TECHNOLOGY

Active matrix TFT color LCD

- 17.1" diagonal screen size
- 1280 x 1024 maximum resolution
- 0.264mm x 0.264mm pixel pitch
- 260cd/m² (typ.) brightness
- 400:1 (typ.) contrast ratio
- Tr: 25ms / Tf: 16ms (typ.)
- L/R=80° / 80°, U/D=75° / 75° viewing angle
- 4 CCFLs backlights lamp w/30,000 hours life (min.)

Display Resolution:

1280 pixels(H) x 1024 lines(V)

Active Display Area:

337.1mm(H) x 270.1mm(V)

Displayable Color: 16.7M colors

Compatibility:

IBM & VESA

- VESA SXGA 1280 x 1024 60 / 75Hz

Apple Macintosh

- 1024 x 768 75Hz

SunMicro 1152 x 900, 66 / 76Hz

Input Signal:

- Video: analog RGB 0.7 Vp-p
- Sync: separate sync, composite sync, sync. on green

Auto-adjustment: Yes

I/O Connectors:

DC power in . VGA in D-sub 15 pin

Power Consumption: 25W Typ., 35 watt (max.), < 5 watt (off mode)

Operating Temp: 0°-50°C / 32°-122°F

Shock Test Spec: (non-mil test) Accel: 50G

Wave form: half-sin

Pressure: Max: 1040hPa; 0=sea level

Min: 764hPa; 3048m = 10,000ft

Non-operation Alt: 30,000ft = 9145m

Operating Alt: 20,000 ft.

MTBF: 30,000 hours

Power Supply Options: DC 12/24/48 Volt & 400Hz

Mil Specs: Optional: 461E - 901D - 810

Unit Certs: CE, CSA, CB

LCD Agency approval:

FCC-B, CE-B, VCCI-II, BSMI, CCIB, UL, CUL, TUV, CB, TCO '99

Weight: 29lbs.