



NEURO LOGIC  
SYSTEMS

## CF-12 LCD

### 12" High Bright LCD with IR Touchscreen



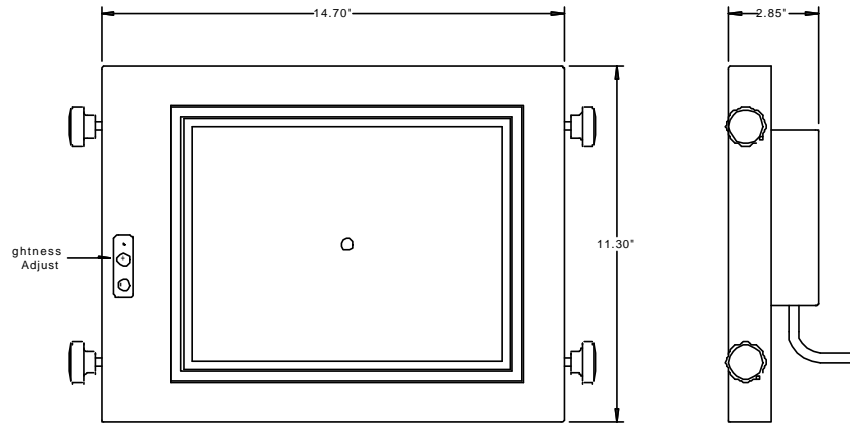
THE CF PRODUCT LINE CONSISTS OF FLAT-PANEL DISPLAYS ENGINEERED FOR USE IN HARSH, DEMANDING ENVIRONMENTS, INCLUDING SHIPBOARD AND MILITARY. NEURO LOGIC ONLY USES THE HIGHEST QUALITY LCDS AVAILABLE. ALL LCDS AND CONTROLLERS ARE CUSTOM BUILT TO NLS SPECIFICATIONS. THIS DOES NOT MEAN THEY ARE THE MOST EXPENSIVE EITHER! OUR PRODUCTS HAVE BEEN USED IN APPLICATIONS FROM MUSEUMS TO NETWORK ROOMS TO MILITARY VEHICLES TO MILITARY AIRPLANES.



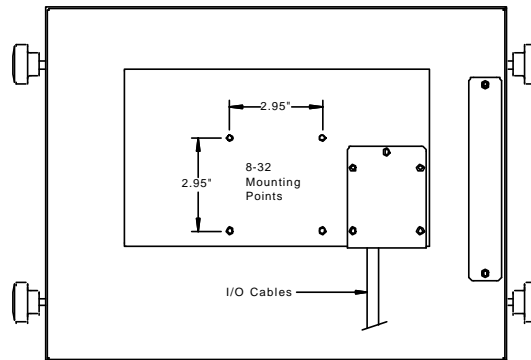
## KEY FEATURES

- Infrared Touchscreen standard. No touchscreen, resistive and surface acoustic wave options.
- 750 nit LCD with contrast enhancement film
- 3mm heat-treated glass (on most models)
- 80-degree (up/down/left/right) viewing on all panels
- Backlight/Inverter Controls (optional)
- HD-15 (standard) Optional BNC or NTSC, RGB Green Sync, RS-170, Y and C (S-video) thru BNC, NTSC, VGA available
- NEMA 4 front option
- DVI/Digital Video Interface (optional)
- Black powdercoat aluminum enclosure w/ handles
- Based on proven COTS LCD technology for low risk and high quality at an affordable cost
- Superior reliability and maintainability over CRTs means a lower life cycle cost
- Mil-Spec 461E available on RF-18 and RF-20. Email for certs
- 24 and 48 volt and 400Hz power supply options
- Custom modifications available on all models

# CF-12 LCD: 12" High Bright LCD with IR Touchscreen



Rear View with Access Covers Installed



## LCD TECHNOLOGY

### LCD Technology:

- Active matrix TFT color LCD
- 12.1" diagonal screen size
- 800 x 600 addressable pixels
- 0.297mm pixel pitch
- 750cd/m<sup>2</sup> (typ.) brightness
- 500:1 (typ.) contrast ratio
- Tr: 25ms / Tf: 15ms (typ.)
- L/R=80° / 80°, U/D=70° / 70° viewing angle
- 30,000 hours life (min.)

### Display Resolution:

800 pixels(H) x 600 lines(V)

### Active Display Area:

246mm(H) x 184mm(V)

### Displayable Color:

262k colors

### Horizontal Scan:

31.5kHz to 80kHz

### Vertical Refresh:

56Hz to 75Hz

### Pixel Frequency:

135MHz

### Input Signal:

- Video: analog RGB 0.7 Vp-p
- Sync: separate sync, composite sync, sync. on green

### Auto-adjustment:

Yes

### I/O Connectors:

- DC power in
- VGA in D-sub 15 pin

### User Controls:

- Multilingual on screen menu adjustments
- External adjustment button
- External brightness adjustment
- Screen image control items: Auto-Adjustment, Contrast, Horizontal Position, Vertical Position,

- Frequency, Tracking, Display Mode, OSD Off-Time, Language, Text-Graphic, Reset, Volume, Mute, Color setting, Color adjustment (R.G.B)

### Power Saving:

VESA DPMS standard (4 mode)

### Power Consumption:

45 watt (max.), < 5 watt (off mode)

### LCD Agency approval:

FCC-B, CE-B, VCCI-II, BSMI, CCIB, UL, CUL, TUV, CB, TCO' 99

### Operating Temperature::

. 0°~40°C / 32°~104°F  
. Humidity: 80% maximum

### Storage Temperature:

• -20°~60°C / -4°~140°F  
• Humidity: 95% maximum

[www.NLSdisplays.com](http://www.NLSdisplays.com)

Sales and Product : [sales@nlsdisplays.com](mailto:sales@nlsdisplays.com)



451-C CONSTITUTION AVE. CAMARILLO, CA 93012  
T 1.805.389.5435 | F 1.805.389.5436

NEURO LOGIC  
SYSTEMS